



SCALETRON™ SETS THE STANDARD
IN CORROSION RESISTANCE™

Model 2350™ Digital Dual Cylinder Scale

- Designed for weighing cylinders up to 12" in diameter
- Two independent weighing disks
- Base size: 32" x 18"
- Net capacity: Up to 150 lbs. (68 or 70 kg) per disk
- High accuracy of $\pm 0.1\%$ of capacity
- AccuPro 5000 dual channel controller with easy readability to 0.1 lb. (kg)
- Readout in pounds, kilograms, gallons or liters
- Patented



AccuPro 5000-EK™
Controller - Knob



AccuPro 5000-PB™
Controller - Keypad



The Ideal Weighing Solution for Applications Requiring Frequent On/Off Loading of Gas Cylinders

Model 2350 is designed for weighing two gas cylinders up to 12" in diameter. Featuring a three-point suspension on the weighing disks, the low-profile base allows for safe and easy handling of cylinders. MADE IN USA.

Standard Features

- Rugged steel construction protected by a corrosion resistant, zinc oxide primed and dry powder coated finish, with molded fiberglass reinforced thermoplastic base and weighing disks for use in harsh environments
- Low profile platform design (1-1/2") increases safety and ease of cylinder handling
- Six (6) stainless steel bending beam, temperature compensated load cells
- All hardware is stainless steel to prevent corrosion
- Electronic indicator housed in NEMA 4X, UL approved enclosure to provide protection from acids
- Cylinder support and chains

Available Controllers

- AccuPro 5000 Digital Controller with one or 2 channels, encoder knob or 3 button keypad, audible alarm and 4-20 mA output signal – scale or loop powered

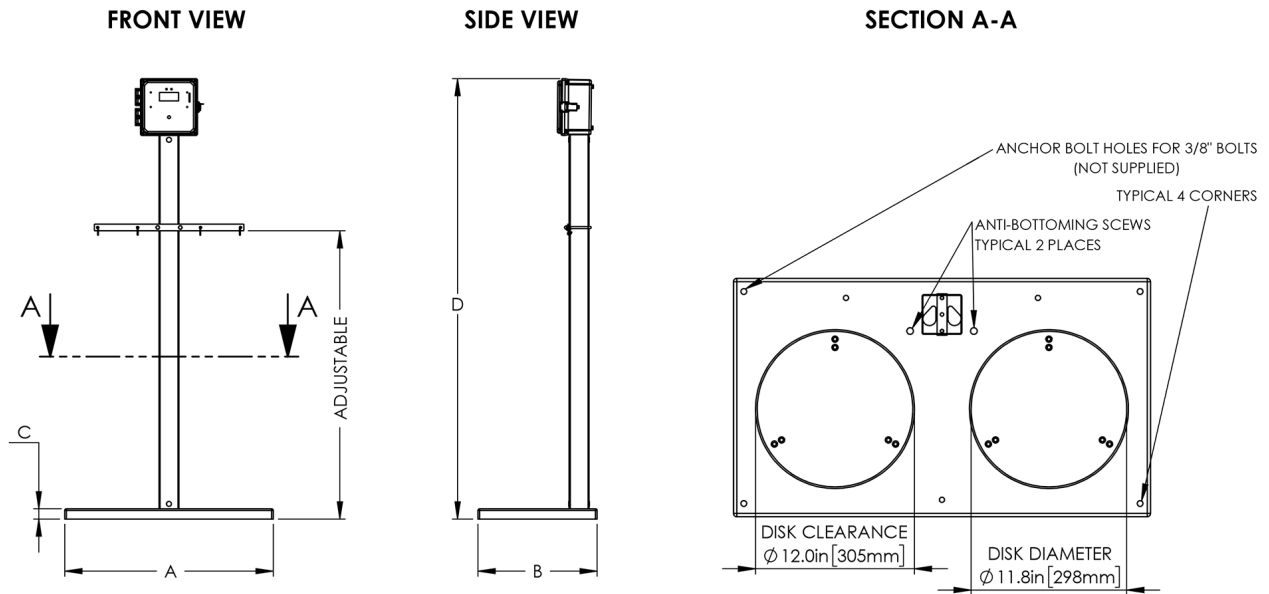
Options

- High and low level set points
- 0-5V or 0-10V output signal
- Remote mounting of indicator box up to 200 feet away

Chemicals

- Scale is designed to accurately measure weight of ammonia, carbon dioxide, hydrogen chloride, liquefied chlorine, sulfur dioxide and other liquid gases

Model 2350™ Digital Dual Cylinder Scale Specifications



Scale Base

PART NUMBER	2350
Platform Length (A)	31.5" (800 mm)
Platform Width (B)	18.0" (457 mm)
Platform Height (C)	1.50" (38 mm)
D	66.5" (1690 mm)
Net Capacity	Up to 150 lbs. (68 or 70 kg) per disk
Weight	27 lbs. scale; 15 lbs. post

Digital Controllers

PART NUMBER	ACCUPRO 5000-EK	ACCUPRO 5000-PB
Interface	Encoder knob	Keypad with three (3) push buttons
Accuracy	±0.1% to ±0.25% of full scale capacity	±0.1% to ±0.25% of full scale capacity
Display	6 Digit alphanumeric backlit LCD	6 Digit alphanumeric backlit LCD
Display Units	Pounds, kilograms, gallons or liters	Pounds, kilograms, gallons or liters
Channels	1 or 2 - One scale base per channel	1 or 2 - One scale base per channel
4-20 mA	4-20mA Standard, 0-5V or 0-10V optional – 1 Output per channel, scale or loop powered	4-20mA Standard, 0-5V or 0-10V optional – 1 Output per channel, scale or loop powered
Set Points	2 or 4 Per channel (high or low)	2 or 4 Per channel (high or low)
Remote Mounting	Up to 200 feet from base frame	Up to 200 feet from base frame
Audible Alarm	Piezo buzzer with adjustable volume	Piezo buzzer with adjustable volume
Power	120/240 VAC, 50/60 Hz, 0.10/0.05A	120/240 VAC, 50/60 Hz, 0.10/0.05A
Enclosure	NEMA 4X, UL approved enclosure	NEMA 4X, UL approved enclosure
Weight	7 lbs.	7 lbs.

Scaleton Industries Ltd.

Bedminster Industrial Park
53 Apple Tree Lane • P.O. Box 365
Plumsteadville, PA 18949 • USA

Tel: (+1) 215-766-2670 (International)
Tel: (+1) 800-257-5911 (USA & Canada)
Fax: (+1) 215-766-2672

Email: info@scaletonscales.com
Website: www.scaletonscales.com